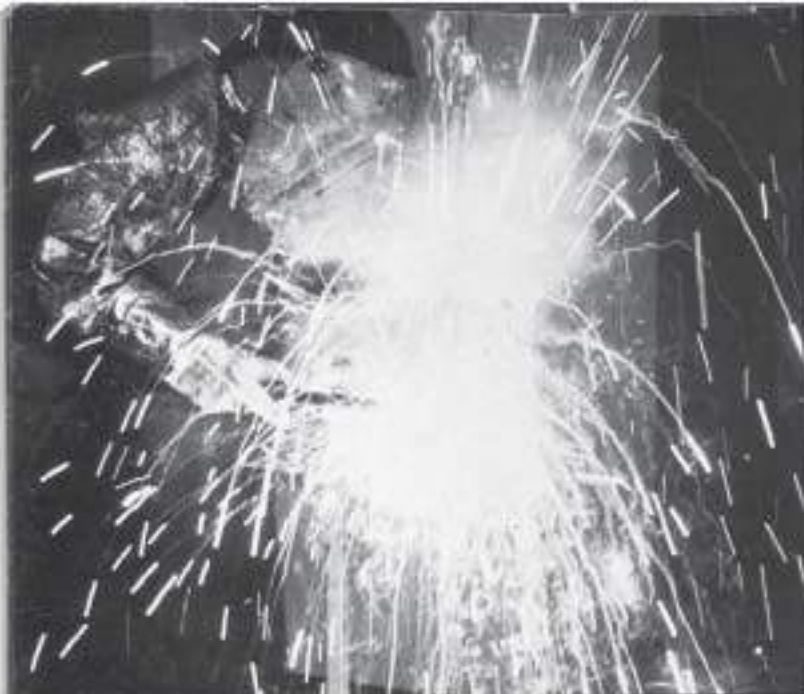




The "Entreprise"
range of safes
by Fichet-Bauche



Every day, 5 safes are attacked in France.

Today industrial and commercial organizations are special targets for criminals.

A thorough assessment of the many risks to which a safe can be exposed should lead to the most appropriate quality of protection.

The tools at the disposal of the modern safe breaker are both powerful and numerous :

- Mechanical tools such as drills, disc cutters, jacks.
- Thermic tools such as oxyacetylene cutting torch, and oxy-arc.
- Explosives.

If the anticipated haul is considered sufficiently worthwhile, the criminal will examine all the alternatives to the smallest detail.

The "Entreprise" safe is the product of over 150 years experience by Fichet-Bauche in the art of safe making and its construction is such that it has been designed to provide a high degree of resistance against all known forms of attack.





Complex defense in depth.

Fichet-Bouche in their long experience in the field of security consider that a safe must be composed of different barriers of defense.

These different barriers are integrated into all the defensive walls of a safe and lead to a superior quality of protection. This considerably retards the progress of criminals and necessitates the use of a variety of tools.

The body and door of the "Entreprise" safes are composed of defensive structures against the action of the blow torch, oxyacetylene cutter, as well as against the oxy-arc and powerful mechanical tools such as the disc cutter.

Particular attention has been paid to the protection of the locking mechanism which are always the target of the most specialist safe breaker.

The "Entreprise" safe may be considered as the centre of a defensive system comprising perimeter defenses such as an electronic alarm installation, but as the physical security element of the system it must be a barrier of great effectiveness.

The "Entreprise" range has 7 models

Model 10 - internal volume 110 Ltr, 4 cu-ft

Model 10 - available on plinth

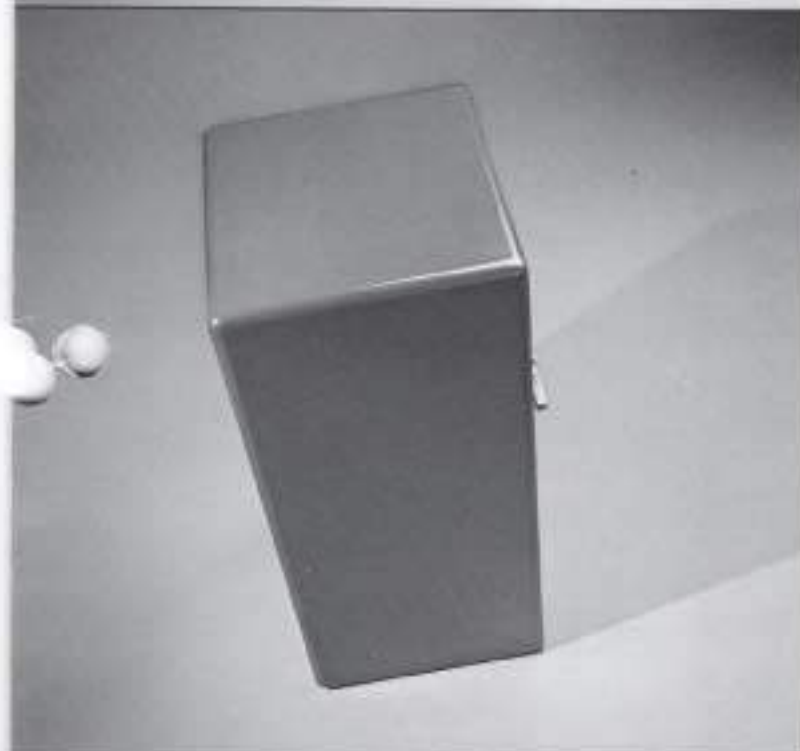
Model 18 - internal volume 182 Ltr, 6,5 cu-ft

Model 18 - available on plinth

Model 30 - internal volume 304 Ltr, 11 cu-ft

Model 47 - internal volume 471 Ltr, 17 cu-ft

Model 88 - internal volume 880 Ltr, 31,5 cu-ft



2 POSSIBILITES 1°) A l'ouverture de la porte. Afficher sur chaque chiffre le chiffre de combinaison voulu plus le chiffre d'attaque avant fermeture de la porte. Le bouton des chiffres "repose" pendant la durée d'attente et revient en position "confirmation" au moment de la fermeture de la porte.
 2°) A la fermeture de la porte. Afficher sur chaque chiffre le chiffre de combinaison voulu et qui le suit dans le cadenas "confirmation".



"Monocommande" combination lock



Time Lock



Pull handle

Bolt throwing handle

"Monopole" keylock



Door open 180°

High security locking

- "Monopole" keylock which is neither marked nor capable of imitation.
- "Monocommande" combination lock giving 63 million locking possibilities and designed to frustrate any attempts to establish the combination illicitly.
- A time lock can be fitted on model 18 and above which prevents the safe being opened for up to 160 hours or the customer requirements.
- The handle comprises a moving part to operate the boltwork and a fixed part for opening and closing the door.
- Relocking devices go into action should the safe be attacked by thermal, mechanical or explosive methods.
- Additionally live relocking devices are in place each time the safe is locked.

Opening to full 180°

The appearance of the "Entreprise" has been particularly studied and the unique Fichet-Bauche double hinge system



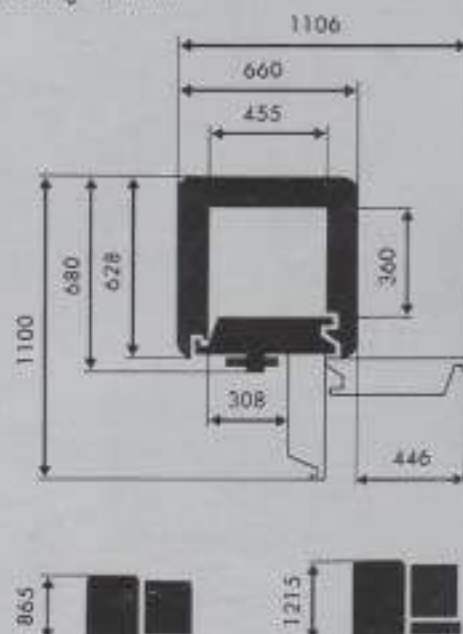
Entrepise 10

Entrepise 10 on plinth*



Internal fittings

dimensions are given in mm



* available upon request

Entrepise 10

Internal volume : 110 Ltr, 4 cu-ft

Internal dimensions :

Height 655 mm, 25.3/4" - width 455 mm, 17.7/8" -

Depth 360 mm, 14.1/4"

External dimensions :

Height 865 mm, 34" - width 660 mm, 26" - Depth 628 mm,

24.3/4"

Internal fittings : 2 adjustable shelves

Bolthwork :

2 top bolts, 2 bottom bolts, 2 bolts on leading edge of door

Approximative weight - 570 kg, 13 cwt.

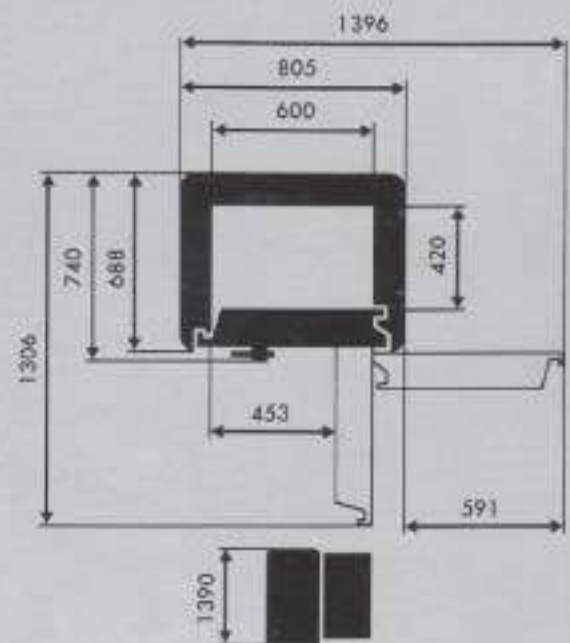


Entreprise 30



Internal fittings

dimensions are given in mm



Entreprise30

Internal volume : 304 Ltr, 11 cu-ft

Internal dimensions :

Height 1180 mm, 46.1/2" - width 600 mm, 23.5/8" - depth 420 mm, 16.1/2"

External dimensions :

Height 1390 mm, 54.3/4" - width 805 mm, 31.3/4" - depth 688 mm, 27"

Internal fittings : 3 adjustable shelves

Boltwork :

2 top bolts, 2 bottom bolts, 3 bolts on leading edge of door

Approximative weight : 1210 kg, 23.75 cwt

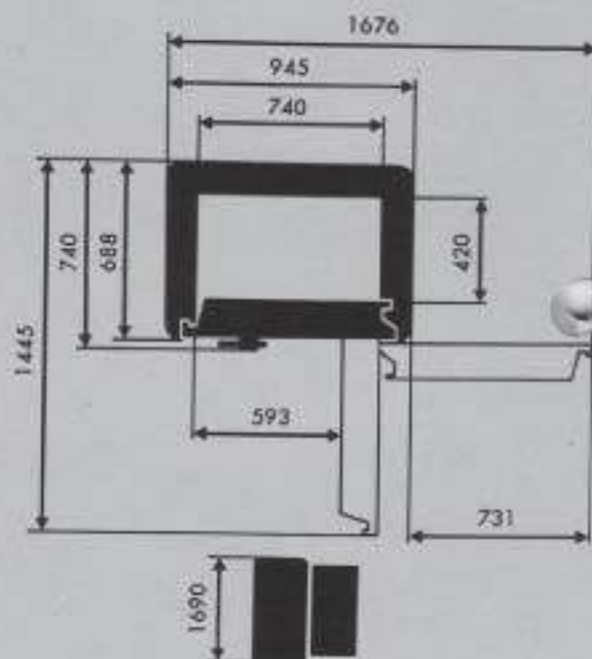


Entreprise 47



Internal fittings

dimensions are given in mm.



Entreprise 47

Internal volume : 471 Ltr, 17 cu-ft

Internal dimensions :

Height 1480 mm, 58.1/4" - width 740 mm, 29.1/8" - depth 420 mm, 16.1/2"

External dimensions :

Height 1690 mm, 66.1/2" - width 945 mm, 37.1/4" - depth 688 mm, 27"

Internal fittings : 4 adjustable shelves

Boltwork :

2 top bolts, 2 bottom bolts, 4 bolts on leading edge of door

Approximative weight : 1640 kg, 32 cwt



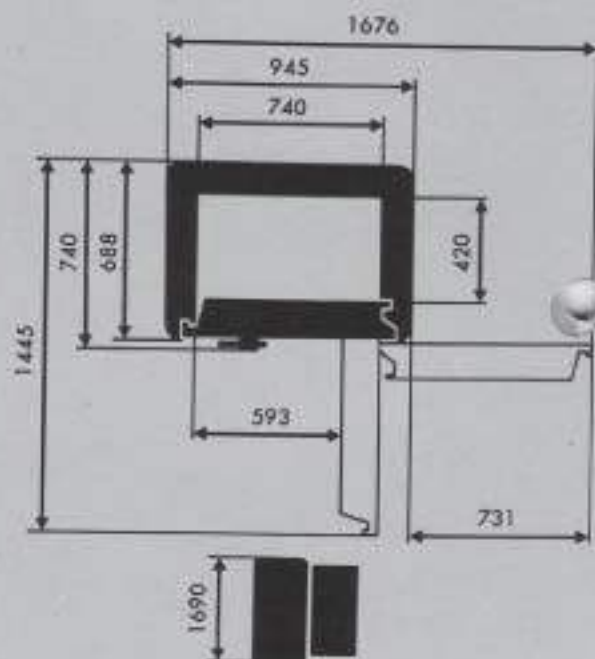


Entreprise 47



Internal fittings

dimensions are given in mm.



Entreprise 47

Internal volume : 471 Ltr, 17 cu-ft

Internal dimensions :

Height 1480 mm, 58.1/4" - width 740 mm, 29.1/8" - depth 420 mm, 16.1/2"

External dimensions :

Height 1690 mm, 66.1/2" - width 945 mm, 37.1/4" - depth 688 mm, 27"

Internal fittings : 4 adjustable shelves

Boltwork :

2 top bolts, 2 bottom bolts, 4 bolts on leading edge of door

Approximative weight : 1640 kg, 32 cwt



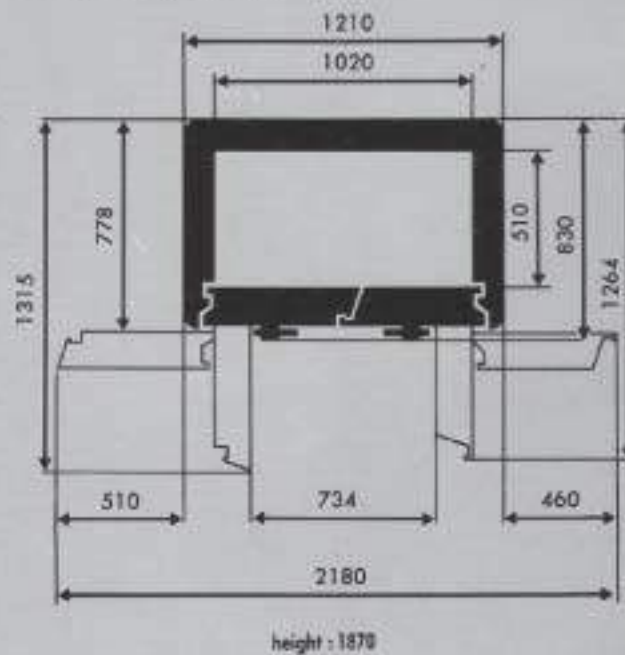


Entreprise 88



Internal fittings

dimensions are given in mm.



Entreprise 88

Internal volume : 880 Ltr; 31,5 cu-ft

Internal dimensions :

Height 1660 mm, 65.3/8" - width 1020 mm, 40.1/8" - depth 510 mm, 20"

External dimensions :

Height 1870 mm, 73.5/8" - width 1210 mm, 47.5/8" - depth 778 mm, 30.5/8"

Internal fittings : 5 adjustable shelves

Boltwork :

Right hand door : 2 top bolts, 2 bottom bolts, 5 bolts on leading edge of door

Left hand door : 4 spring bolts operated by handle and locked by closure of right hand door

Approximative weight : 2310 kg, 45 cwt.

An effective protection against fire

Testing resistance to fire :

On 2nd september 1977 an "Entreprise" 30 safe successfully underwent a test of its resistance to fire carried out by the Scientific and Technical Centre for building construction (C.S.T.B.) in Champs-sur-Marne.

In this test, papers are placed inside the safe which is then locked and heated in a furnace for a period of 60 minutes up to a temperature of 925 °C. Remember that paper ignites spontaneously at 177 °C, even when not in contact with an open flame.

A conclusive test :

The protection against fire provided by Fichet-Bauche was shown to be effective. During this test, the inside temperature of the "Entreprise" safe did not rise above 100 °C. The documents placed inside were recovered intact.

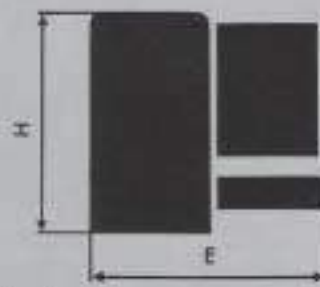
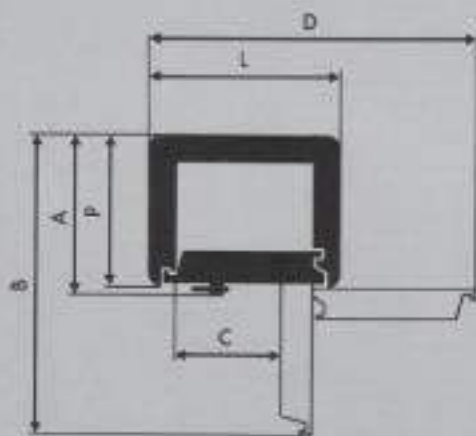
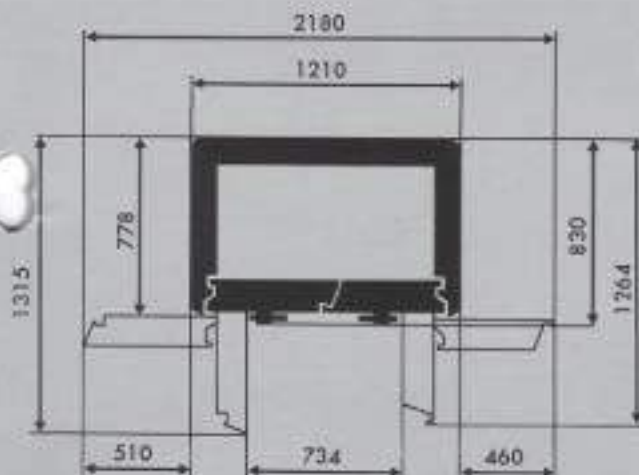
Internal cupboard

It is possible to fit a 9" high full width cupboards in all the sizes, secured with "Monopole" keylock.

Base fixing : All safes are prepared for base fixing to the floor.

Deposit entry : Models 18, 30, 47 can be prepared to receive deposit drawer, rear or side entry.

Internal Alarm : An internal alarm system can be fitted.



dimensions are given in mm.

Internal cupboard



An effective protection against fire

Testing resistance to fire :

On 2nd september 1977 an "Entreprise" 30 safe successfully underwent a test of its resistance to fire carried out by the Scientific and Technical Centre for building construction (C.S.T.B.) in Champs-sur-Marne.

In this test, papers are placed inside the safe which is then locked and heated in a furnace for a period of 60 minutes up to a temperature of 925 °C. Remember that paper ignites spontaneously at 177 °C, even when not in contact with an open flame.

A conclusive test :

The protection against fire provided by Fichet-Bauche was shown to be effective. During this test, the inside temperature of the "Entreprise" safe did not rise above 100 °C. The documents placed inside were recovered intact.

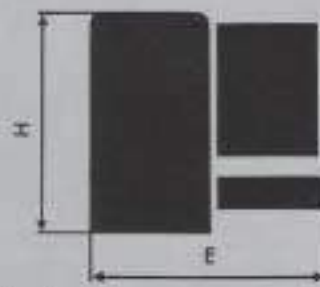
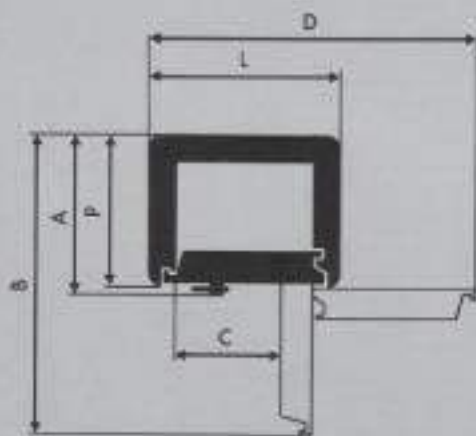
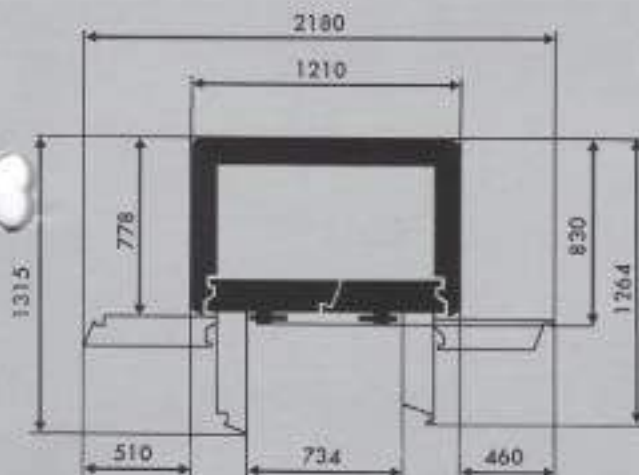
Internal cupboard

It is possible to fit a 9" high full width cupboards in all the sizes, secured with "Manopole" keylock.

Base fixing : All safes are prepared for base fixing to the floor.

Deposit entry : Models 18, 30, 47 can be prepared to receive deposit drawer, rear or side entry.

Internal Alarm : An internal alarm system can be fitted.



dimensions are given in mm.

Internal cupboard

