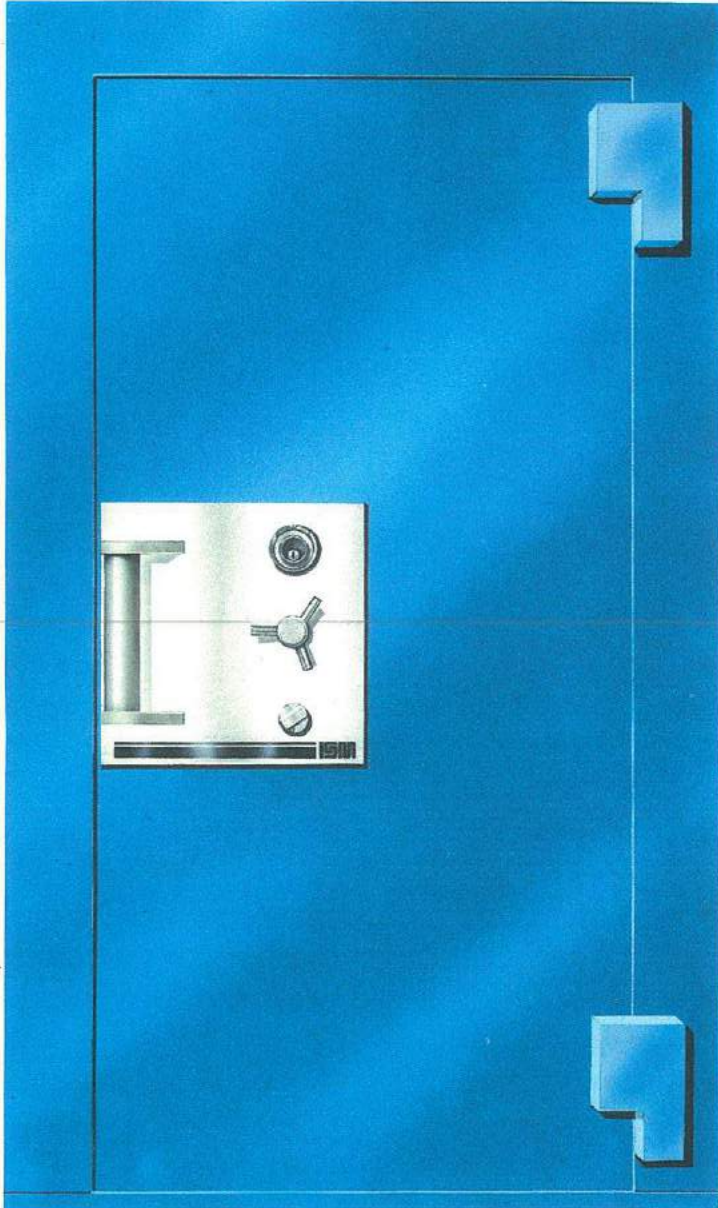


ISM

ISM 2" Vault Door



MODEL VD50TA

The ISM VD50TA Vault Door is a high security door which incorporates many new features that together create a superior barrier against sophisticated tool attacks as well as oxy-acetylene torch attacks. The VD50TA utilizes new composite materials and a patented locking mechanism inside a highly attractive exterior.

DOOR

The overall thickness of the VD50TA vault door is 150 mm (6"). It is constructed of outer and inner 10 mm (0.4") thick steel plates enclosing a 30 mm (1.2") layer of C.N.A. ISM's superior torch and tool resistant composite material. The door frame is of 10 mm (0.4") thick steel and fits a standard vault room wall thickness of 300 mm (12").

LOCKS

The VD50TA comes equipped with a U.L. listed group 1 manipulation proof combination lock and a twelve lever double bit key lock.

BOLTWORK

The boltwork and locking mechanism were designed to provide a maximum security barrier against attacks with explosives as well as torch and drill attacks. The VD50TA has a double action locking mechanism that extends a full door length locking bar into a high-strength steel channel in the door frame, ensuring that the bar cannot be forced back. Fixed bolts lock the hinge side of the door.

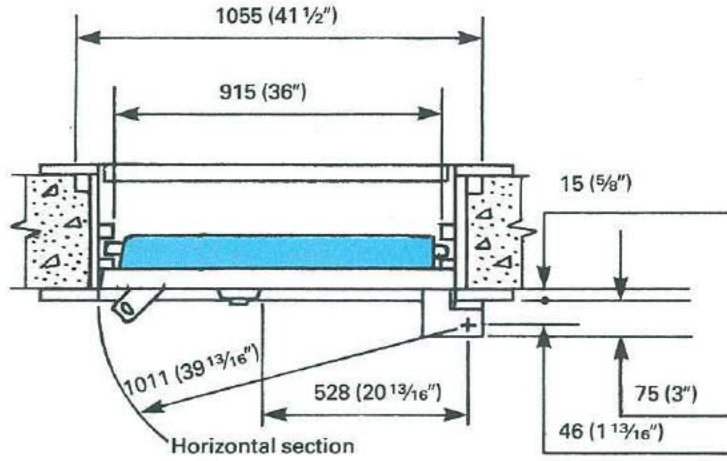
RELOCKING DEVICES

The locks and vital mechanism areas are protected by a special glass plate, which if tampered with releases a number of randomly located relockers independent of the locks. This provides the VD50TA with a maximum security deterrent against sophisticated burglary attacks.

DAY GATE

As an optional extra, an attractive anodized aluminum day gate with tinted glass is available with a cylinder lock for use during working hours when the vault door is open.

ISM 2" Vault Door



Total Weight:
1020 Kg. (2244 Lb.)
Door Weight:
663 Kg. (1459 Lb.)

