

Intercontinental Security Products, Inc.

**INTERSEC**™

Tudor Safe

## **Tudor Safe 6-Sided Construction**

**Intersec Tudor Safe offers you, for the first time in the United States real 6-sided protection against:**

- Oxy-acetylene • Explosives
- Wedging • Heavy hand tools
- High Speed carbide drills • Fire

### **Construction:**

**DOOR:** The door is recessed into the body and has a main protective slab comprising 2 1/4" of metal including a layer of drill and blowtorch resistant alloy 1 1/4" thick.

**LOCKING:** A system of 3-way sliding round bolts secure the door to the body on top, bottom and leading edges. The back edge is secured by fixed bolts. The number of bolts varies with the size of the safe. This boltwork is controlled by a four-number combination lock. The model 5020 has a nine-lever high security keylock additional to the combination to provide dual control. Locking variations are available to other models at extra cost.

**RELOCKING DEVICES:** To guard against attack on the lock(s) by explosives or other means, a live anti-explosive device is fitted which comes into operation each time the safe is locked. In addition, a thermal device is fitted to operate if the door is attacked by oxygen cutting tools. A special sensitive plate actuates relocking devices if disturbed by drills, explosives or heat.

**BODY:** The body of the safe has an overall thickness of 4" and incorporates a layer of drill and blowtorch resistant alloy within a reinforced fire resistant anti-penetration monolith. Metal content throughout the body is not less than 1 1/4".

**FITTINGS:** All sizes of safe can be fitted with removable shelves adjustable at 1" intervals.

**FINISH:** Tann blue/gray.

# **INTERSEC™**



**ANCHORING:** Provision can be made for safes to be anchored to the floor and this is recommended.

**Test Information**

Tann pursues a continuous research program of testing within their own laboratories and at independent test centers throughout the world including the Underwriters Laboratories in the U.S.A.

**Dimensions (inches)**

**Model No. 1711**

Approx. Weight 924 Lbs./1.10 Cubic Ft.

External	High	Wide	Deep*
	25"	19"	19 13/16"
Internal	17"	11"	9 3/4"

**Model No. 2314**

Approx. Weight 1595 Lbs./3.25 Cubic Ft.

External	High	Wide	Deep*
	31"	22 1/2"	26 13/16"
Internal	23"	14 1/2"	16 3/4"

**Model No. 3520**

Approx. Weight 2596 Lbs./7.75 Cubic Ft.

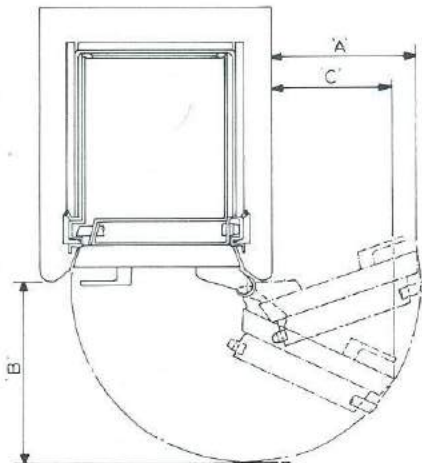
External	High	Wide	Deep*
	43"	28"	29 13/16"
Internal	35"	20"	19 3/4"

**Model No. 5020**

Approx. Weight 3432 Lbs./11.00 Cubic Ft.

External	High	Wide	Deep*
	58"	28"	29 13/16"
Internal	50"	20"	19 3/4"

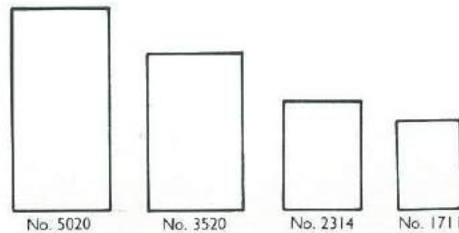
\*N.B. Add 1-1/2" for overall depth inclusive of hinges and handle on all sizes.



Model No.	A	B	C
1711	11"	14 1/4"	10"
2314	14"	17 3/4"	13"
3520	20"	23"	18"
5020	20"	23"	18"

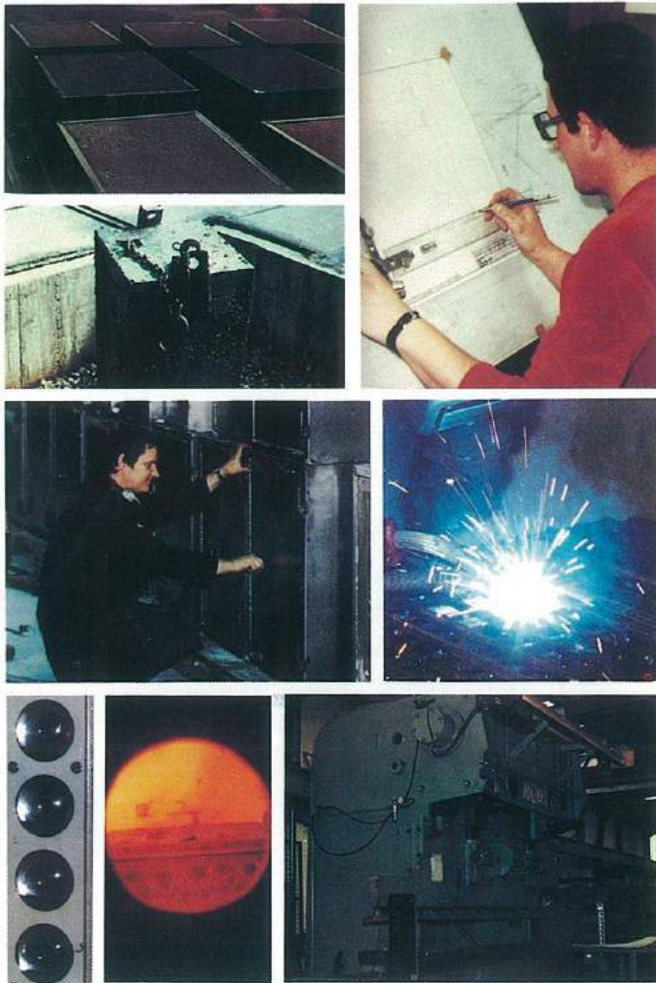
Our aim is always to provide the best security, therefore we reserve the right to incorporate any improvements and alter any specification accordingly without prior notice.

By virtue of the Trade Descriptions Act, 1968, all measurements and weights must necessarily be considered approximate.



# INTERSEC™

Intercontinental Security Products, Inc.  
1451 N.W. 20th Street Miami, Florida 33142  
(305) 324-4014 / TWX 810 848 7030



Distributed by:

## **Tann** – protecting the priceless since 1795

It is recorded that the House of Tann were makers of ironclad treasure chests during the reign of King George II (1727-1760). In 1795, just outside of London, Edward Tann and his son founded what is believed to be the world's first firm of safe-makers—John Tann Limited.

Two centuries of experience has taught Tann that the science of safemaking must continuously advance to keep a step ahead of the science of safebreaking. Safety—from fire and theft—is the final, the ultimate, the only test of a safe.

### John Tann—today

John Tann, established over 185 years ago, now sells its products in over eighty countries throughout the world. Tann is entrusted with the security of Royalty, Central Reserve Banks, De Beers, and countless Commercial Banks and financial institutions throughout the world. Tann through Intersec is now synonymous with high security in the United States and has become something of a household word with jewelers and other businesses looking for the ultimate in protection. Tann has always kept that vital step ahead—becoming more diversified, more sophisticated, leading the way in many aspects of security. That's why people with a lot to lose invariably place it in the safekeeping of "a Tann". **There is only one John Tann...** there can be no second best where security is concerned.

### Tann—made invincible

Safe or vault equipment has multiple materials incorporated in all surfaces. These multiple materials buy more time as different tools and techniques are required to attempt penetration of various layers. Defense in depth buys time. Additionally, Tann Designers have placed various plates in the locking area sensitive to drilling, drifting, impact, heat or explosives. Any type of heavy attack, including the burning bar or oxy-arc, will trigger multiple remotely located relocking devices which "dead lock" the safe or vault door. These tempered glass plates are frequently referred to as the "nerve center" of the entire lockwork.

Tann Safes can resist all known forms of attack including carbide tools, oxy-acetylene torch and the oxy-arc. Also incorporated are special materials to counter the formidable burning bar. If required, Tann provides safes approved and in accordance with the Underwriters Laboratories, Inc. specifications. The Tann concept of construction is to have equality of strength between door and body providing security on all six sides of the unit. All John Tann safes are designed with this philosophy.

Today, more than ever before, maintaining security is an unenviable challenge. Tann has met this challenge offering you the finest security products available in the world—and peace of mind! That's how John Tann has grown to be nearly 200 years old.